

2-Way 3 Piece Encapsulated Ball Valves

Materials:

- body, ends and ball: CF8M stainless
- seats: virgin PTFE, 15% glass reinforced RTFE, 25% carbon reinforced PTFE, 50% stainless steel reinforced PTFE or UHMW

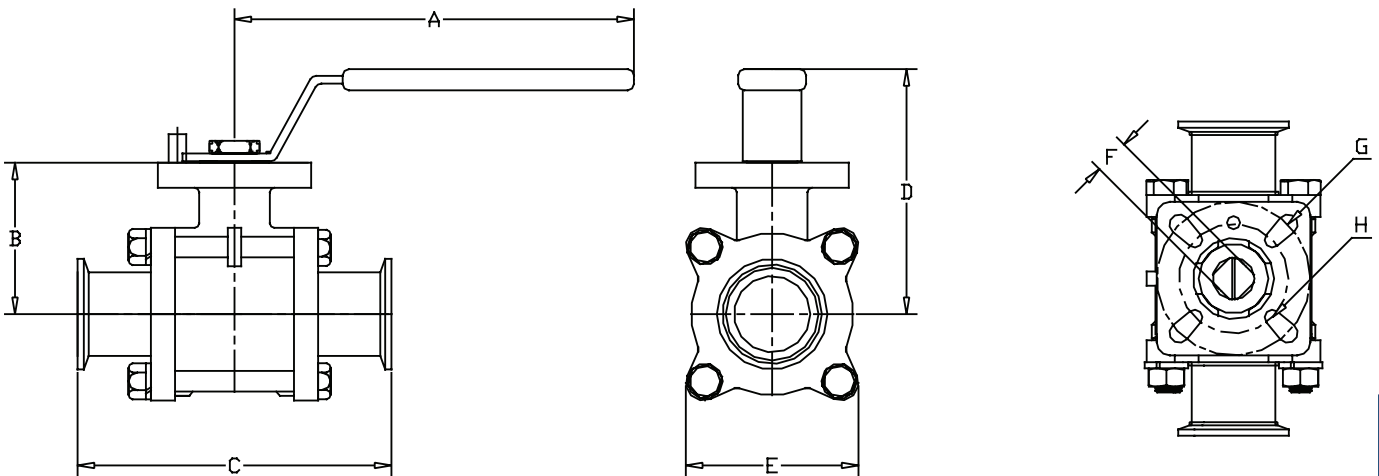
Features:

- live-loaded stem packing
- precision stainless steel balls reduce torque and friction losses while extending seat life
- integral ISO 5211 mounting pad
- ID polish is R_a 32 minimum
- lockable handle can prevent accidental actuation
- standard internal entry blow out proof stem design
- full port design matches ball and seat ports to tube ID for lower pressure drop and less turbulent flow
- compact design for areas with tight space restrictions
- fully encapsulated construction produces bubble tight seal
- identification tagging available
- balanced encapsulated construction minimizes cold flow

Specifications:

- maximum pressure rating: ½" - 2" **1000 PSI WOG**, 2½" - 4" **800 PSI WOG**
- for valves seat options, call Dixon
- repair kits available

Sanitary
Fittings



Size	Dimensions								316 Stainless Steel Part #
	A	B	C	D	E	F (mm)	G (mm)	H (mm)	
½"	4.9"	1.5"	4.3"	3.1"	2.0"	9	42	36	BV2CV-050CC-A
¾"	4.9"	1.8"	4.7"	3.4"	2.2"	9	42	36	BV2CV-075CC-A
1"	5.4"	2.1"	4.9"	3.6"	2.4"	11	50	42	BV2CV-100CC-A
1½"	9.3"	2.7"	5.6"	4.4"	3.2"	14	70	50	BV2CV-150CC-A
2"	9.3"	3.1"	6.4"	4.7"	3.8"	14	70	50	BV2CV-200CC-A
2½"	18.0"	3.8"	7.8"	5.2"	4.9"	17	102	70	BV2CV-250CC-A
3"	18.3"	4.2"	9.0"	5.7"	5.4"	17	102	70	BV2CV-300CC-A
4"	18.3"	5.3"	9.6"	6.9"	8.7"	22	125	102	BV2CV-400CC-A

Our commitment to excellence and continuous research and development for improving product quality may warrant periodic changes in design and specification. We reserve the right to modify product design without prior notification and without incurring any liability to provide these modifications to products previously purchased.